

KÄRCHER

VC 6 Cordless ourFamily VC 6 Cordless Premium ourFamily

English
العربية

6
20

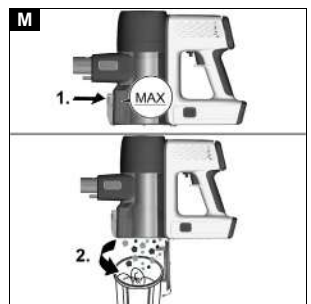
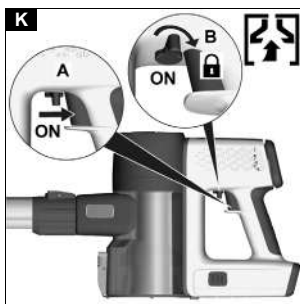
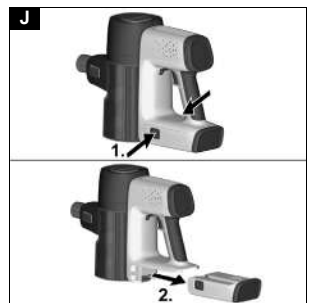
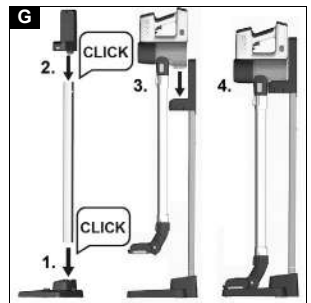
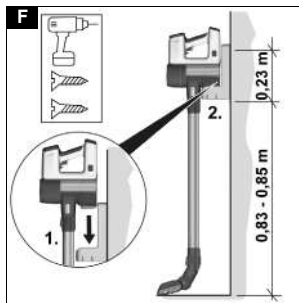
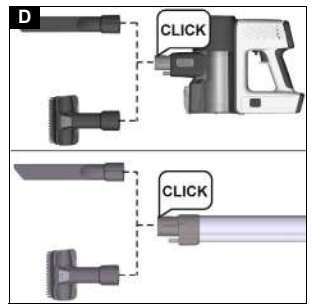
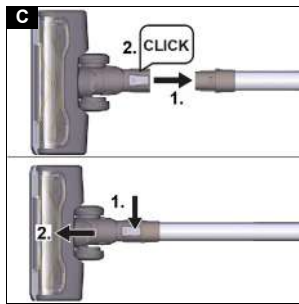
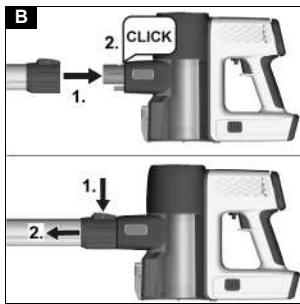


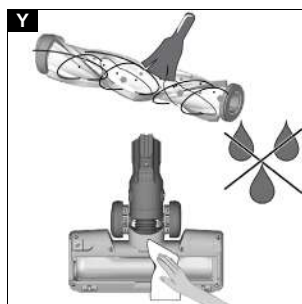
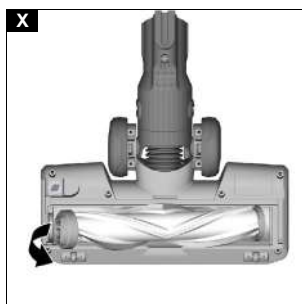
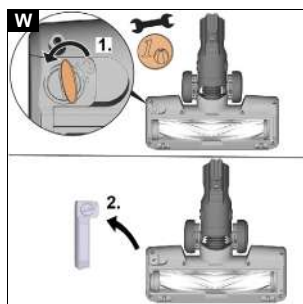
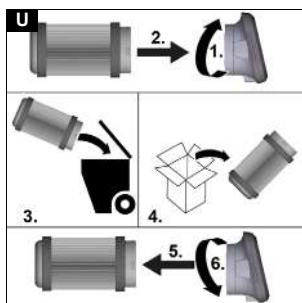
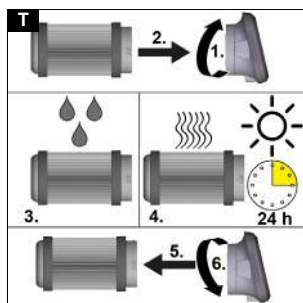
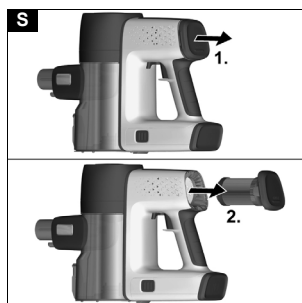
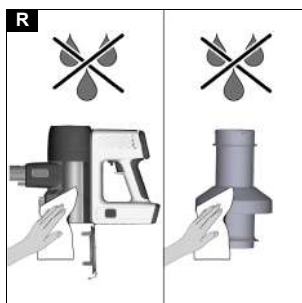
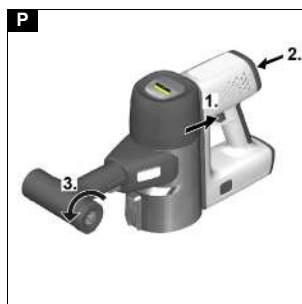
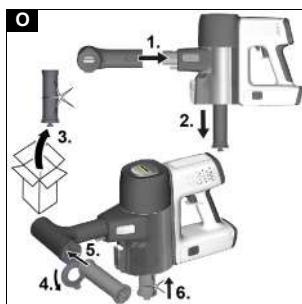
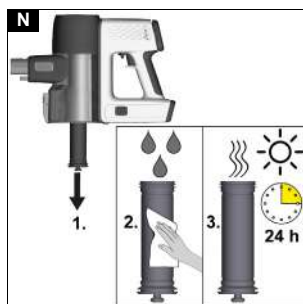
**Register
your product**
www.kaercher.com/welcome

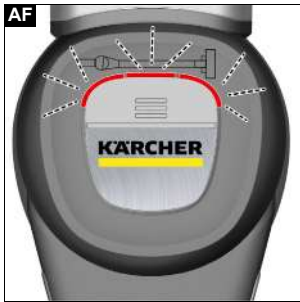
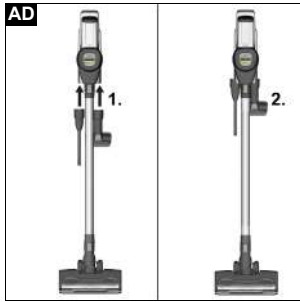
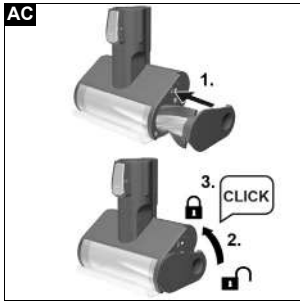
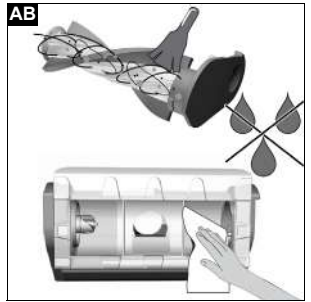
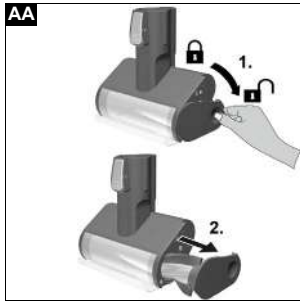
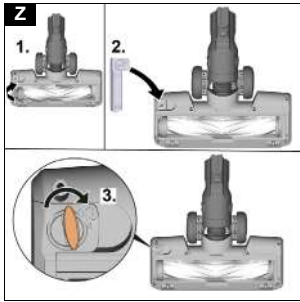


59793650 (01/23)









Contents

Intended use.....	8
Environmental protection.....	8
Accessories and spare parts.....	8
Warranty.....	8
Scope of delivery.....	8
Description of the unit.....	8
Installing the wall bracket/free-standing parking station with charging function.....	9
Initial startup.....	9
Operation.....	10
How to use the Accessories.....	11
Transportation.....	11
Storage.....	11
Care and service.....	11
Troubleshooting guide.....	12
Technical data.....	13

Safety instructions for battery operated vacuum



Read these safety instructions and the original instructions before using the device for the first time. Act in accordance with them. Keep the booklet for future reference or for future owners.

- In addition to the notes in the operating instructions, you also need to take into consideration the general safety regulations and accident prevention guidelines applicable by law.
- Warnings and information notices attached to the device provide important information for hazard-free operation.
- The battery/battery pack is either permanently installed or removable, depending on the device type. Permanently installed batteries/battery packs must not be replaced. Please refer to the operating instructions of the device to find out what applies to your device.

A battery consists of a single storage element, whereas a battery pack consists of interconnected storage elements.

In the following chapters, both terms are used synonymously.

Hazard levels

⚠ DANGER

- Indication of an imminent threat of danger that will lead to severe injuries or even death.

⚠ WARNING

- Indication of a potentially dangerous situation that may lead to severe injuries or even death.

⚠ CAUTION

- Indication of a potentially dangerous situation that may lead to minor injuries.

ATTENTION

- Indication of a potentially dangerous situation that may lead to damage to property.

General safety instructions

⚠ DANGER • Risk of asphyxiation. Keep packaging film out of the reach of children. • Operation in explosive atmospheres is prohibited. • Risk of explosion

- Never use the device to vacuum up combustible gases, liquids or dusts.
- Never use the device to vacuum up reactive metal dusts (e.g. aluminium, magnesium, zinc).
- Never use the device to vacuum up undiluted brine or acids.
- Never use the device to vacuum up any burning or smouldering objects/matter.

These substances can corrode the materials in use on the device.

⚠ WARNING • Only use the device for its proper use. Take into account the local conditions and beware of third parties, in particular children, when working with the device. • Persons with reduced physical, sensory or mental capabilities and persons lacking experience and knowledge may only use the appliance if they are properly supervised, have been instructed on use of the appliance safely by a person responsible for their safety, and understand the resultant hazards involved. • Only people who have been instructed on how to use the device, or have proven their ability to operate it, and have been explicitly instructed to use it, must use the device. • Children must not operate the device. • Children from the minimum age of 8 may use the appliance if they are properly supervised or have been instructed in its use by a person responsible for their safety, and if they have understood the resultant hazards involved. • Children must be supervised to prevent them from playing with the appliance. • Children may only perform cleaning work and user maintenance under supervision. • Adhere to the respective safety regulations in hazard zones (e.g. service stations). Never operate the device in explosive spaces. • Only use the device for its proper use. Take into account the local conditions and beware of third parties, in particular children, when working with the device. • The appliance contains electrical components - do not clean the appliance under running water. • Risk of injury. Do not use the nozzle and suction pipe at head height. • Avoid switching the device on unintentionally. Make sure that the on/off switch is in the off position before connecting the battery pack, lifting or carrying the device. • You must not charge or store the device outdoors or in a car.

⚠ CAUTION • Safety devices are provided for your own protection. Never modify or bypass safety devices. • Do not use the appliance if it has been dropped beforehand, is visibly damaged or if it is leaking. • Never leave the device unsupervised while it is in operation. • Only operate or store the device in accordance with the description or figure. • In order to prevent accidents or injuries, you must observe the weight of the device when transporting it. • Accidents or damage due to the device falling over. Before all actions with or on the device, you must make sure that it is stable. • Do not make any changes to the device, and only use accessories and spare parts recommended by the manufacturer. • Risk of injury when loose fitting clothing, hair or jewellery is caught by moving parts of the device. Keep clothing and jewellery away from moving parts of the device. Tie long hair back.

ATTENTION • Do not operate the device at temperatures below 0 °C. • Never use the device without a filter, this can lead to device damage. • Only use the device indoors.

Charger safety instructions

⚠ DANGER • Never touch the mains plug and socket with wet hands. • Danger of explosion. Do not charge any non-rechargeable battery. • Do not charge the battery pack in an explosion-hazard environment. • Never insert conductive objects, e.g. screwdrivers or similar, into the charging socket on the appliance.

⚠ WARNING • Only charge the appliance using the original charger enclosed or with a charger approved by KÄRCHER. • Protect the power cable from heat, sharp edges, oil and moving parts. • Do not open the charger. Repairs are only to be carried out by qualified personnel. • Only use the charger for charging approved battery packs. • Immediately replace a damaged charger together with charging cable with an original part. • The appliance contains electrical components - do not clean the appliance under running water. • You may not charge the battery pack for longer than 24 hours without interruption.


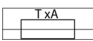

⚠ CAUTION • Do not use the battery pack when dirty or wet. • Keep the charger ventilation slits free of obstructions. • Do not pull the mains plug out the socket using the power supply cable. • Do not carry/transport the device using the power supply cable.

ATTENTION • Short circuit hazard. Protect the contacts of the battery pack from metal parts. • Only use and store the charger in dry rooms.

Note • Information on which type of charger/adaptor is to be used can be found on the type plate of the charger supplied and/or in the technical data in the operating instructions for the device.

Symbols on the charger

(Depending on the charger)

	Protect the device from moisture. Store the device in a dry place. Do not subject the device to rain. The device is only suitable for indoor use.
	The device has a built-in fuse. The value (X) in amperes can be found on the respective charger.
	The device meets the requirements of protection class II.

Battery/battery pack safety instructions

⚠ DANGER

- Do not charge the battery pack in explosive atmospheres.
- Do not throw battery packs into a fire or into the household rubbish.
- Avoid contact with fluid leaking from defective batteries. Immediately rinse off the fluid using water if contact is made, and also consult a doctor in the event of contact with the eyes.
- Danger of explosion. Do not charge any non-rechargeable battery.

⚠ WARNING

- Check that the voltage of the battery pack corresponds with the information on the type plate of the device used.
- Check the battery pack for damages before every operation. Do not use any damaged battery packs.
- Do not charge any damaged battery packs.

- Replace damaged battery packs with battery packs approved by KÄRCHER.
Does not apply to appliances with a fixed battery
- Do not open the battery pack. Repairs are only to be carried out by qualified personnel.
- Only charge the battery pack with the approved chargers.
- Do not charge the battery unattended. Check the condition of the battery and charger regularly during the charging process.
- Disconnect the charger from the mains and the battery from the charger and stop using the charger and battery if you notice a fault, unusual odours or heat development during charging. Contact the authorized customer service.
- Do not remove permanently installed batteries.

⚠ CAUTION





- Short circuit hazard. Protect the contacts of the battery pack against metal parts.
- Do not use the battery pack in a dirty or wet condition. Allow the connections to dry out completely before using the battery pack.
- Remove the battery pack from the device before carrying out any service or care work.
Does not apply to appliances with a fixed battery

ATTENTION

- Short circuit hazard. Do not store the battery packs together with metal objects.
- Do not submerge the battery in water.
- Protect the battery pack against heat, sharp edges, oil and moving unit parts.
- Do not subject the battery pack to mechanical stress.
- Store the battery pack in a dry place.

Symbols on the battery pack

(Depending on device/battery type)

	Do not throw the battery into water.
	Do not throw the battery into fire.
	Do not charge defective battery packs.
	Only use the battery pack with the approved chargers. Information on which type of charger/adaptor is to be used can be found on the type plate of the charger supplied and/or in the technical data in the operating instructions for the device.

Safety instructions for transportation

The lithium-ion battery is subject to the requirements of dangerous goods regulations.

The battery pack can be transported by the user in public traffic areas without any further restrictions.

When shipping by third parties (transport companies), special requirements for packaging and labelling must be observed.

Do not use the battery pack if the casing is damaged. Tape off open contacts.

Pack the battery tightly and securely. The battery pack must not be able to move in the packaging.

⚠ DANGER

- A defective or non-functional battery pack must not be mailed and must be disposed of on site in accordance with the applicable regulations.

Observe the national regulations.

Intended use

- Only use the device in private households.
- The device is intended exclusively for cleaning dry surfaces
- The following are not in accordance with the intended use:
 - Cleaning people, animals, plants or clothing on the body.
 - Soaking up water or other fluids.
 - Extraction of glowing ashes, coal, cigarettes or other flammable or easily inflammable substances.
 - Use in the vicinity of explosive or highly flammable substances.

Environmental protection



The packing materials can be recycled. Please dispose of packaging in accordance with the environmental regulations.



Electrical and electronic devices contain valuable, recyclable materials and often components such as batteries, rechargeable batteries or oil, which - if handled or disposed of incorrectly - can

pose a potential danger to human health and the environment. However, these components are required for the correct operation of the device. Devices marked by this symbol are not allowed to be disposed of together with the household rubbish.

Notes on the content materials (REACH)

Current information on content materials can be found at: www.kaercher.de/REACH

Accessories and spare parts

Only use original accessories and original spare parts. They ensure that the appliance will run fault-free and safely.

Information on accessories and spare parts can be found at www.kaercher.com.

Warranty

The warranty conditions issued by our sales company responsible apply in all countries. We shall remedy possible malfunctions on your device within the warranty period free of cost, provided that a material or manufacturing defect is the cause. In a warranty case, please contact your dealer (with the purchase receipt) or the next authorised customer service site.

(See overleaf for the address)

Scope of delivery

The scope of delivery for the appliance is shown on the packaging. Check the contents for completeness when unpacking. If any accessories are missing or in the event of any shipping damage, please notify your dealer.

Description of the unit

The scope of delivery of the unit (dependent on model) is shown on the packaging. These operating instructions describe all possible options. See graphics page for illustrations.

Illustration A

- ① Boost function LED indicator light
- ② Battery/battery error message LED indicator light
- ③ Floor nozzle fault LED indicator light
- ④ Suction duct fault LED indicator light
- ⑤ Dust sensor fault LED indicator light
- ⑥ * HEPA-Filter
- ⑦ Boost function button (increases the suction performance)/HEPA filter cover
- ⑧ On/Off switch with locking lever
- ⑨ Handle
- ⑩ Replaceable battery
- ⑪ Battery unlocking button
- ⑫ Air inlet filter
- ⑬ Dust container cover flap
- ⑭ Dust container
- ⑮ Dust container cover flap unlocking button
- ⑯ Dust container suction fitting
- ⑰ Motor-driven electric brush with universal brush roll and LED light
- ⑱ Suction pipe
- ⑲ Charger
- ⑳ Wall bracket with charging function
- ㉑ ** Crevice nozzle
- ㉒ ** 2-in-1 upholstery nozzle
- ㉓ ** Air inlet filter (2x)
- ㉔ ** Filter cleaning tool
- ㉕ ** Mini turbo nozzle
- ㉖ ** 2-in-1 furniture brush
- ㉗ ** Large upholstery nozzle
- ㉘ ** LED crevice nozzle
- ㉙ ** Extension hose
- ㉚ ** Flexible crevice nozzle
- ㉛ ** Removable battery (2x)
- ㉜ ** Soft brush
- ㉝ ** Free-standing parking station
- ㉞ ** Soft motorized brush (hard floor nozzle)

* EN 1822:1998

** optional

Installing the wall bracket/free-standing parking station with charging function

The scope of delivery includes either a wall bracket or a free-standing parking station with charging function for correct storage of the vacuum cleaner and accessories.

● Installing the wall bracket

Note

Mount the wall bracket at a suitable point using the screws and dowels supplied.

For safe storage of the device, the lower screw fastening of the wall bracket should be placed at a distance of 0.83-0.85 m from the floor.

Illustration F

ATTENTION

Material damage due to incorrect installation

Incorrect installation can damage both the device and the floor covering if it falls.

Use suitable mounting tools for wall mounting.

Take the weight of the device and the loading capacity of the installation location into account when selecting the fasteners.

⚠ WARNING

Risk of electric shock and injuries

Make sure there are no electrical cables, water or gas pipes in the wall around the mounting area.

● Installing the free-standing parking station

Note

Installation on the wall is not necessary.

1. Assemble the base, connecting tube and bracket so that they audibly click into place.
2. Place the unit in the support.

Illustration G

ATTENTION

Risk of injury or damage to property

If the parking station is placed in an unfavourable position (e.g. in the middle of a room), this constitutes a tripping hazard and may result in injury and/or it can fall over and damage the unit.

Place the unit with the parking station in a safe, quiet place (e.g. wall, corner).

Note

Removal is carried out by pressing the unlocking buttons on the rear side of the parking station on the base and support.

Initial startup

Installing accessories

Note

The multi-function brush is also driven by its own integrated motor and must therefore always be connected directly to the hand-held device or the suction pipe in order to ensure the power supply.

All other accessor parts can also be used directly with the hand-held device or with the suction pipe to increase the reach.

- Push the suction pipe on to the suction fitting of the dust container until it audibly clicks into place.
- Press the unlocking button and remove the suction pipe from the suction fitting.

Illustration B

- Push the floor nozzle on to the suction pipe until it audibly clicks into place.

- Press the unlocking button and remove the floor nozzle from the suction pipe.

Illustration C

- Push accessory, such as the crevice nozzle, on to the suction fitting of the dust container or suction pipe until it audibly clicks into place.

Illustration D

Inserting the battery

ATTENTION

Dirty contacts

Damage to the device and battery

Check the battery mount and the contacts for soiling and clean them as necessary before inserting the battery.

Note

Use only fully charged batteries.

1. Push the battery into the mounting in the device until it audibly latches into place.

Illustration E

Battery charging

Note

The device is not supplied with a charged battery. Fully charge the battery before using it for the first time.

Please observe the enclosed safety instructions for battery powered vacuum cleaners.

Note

The battery can be charged with the device or separately (e.g. for variants with an additional battery).

Note

For a detailed description of the LED displays, see chapter LED display

1. Charge the battery with the device.
 - To charge the device, attach it to the wall bracket with charging function included in the scope of delivery.

Illustration F

2. Charge the battery separately.

- Place the battery on a flat and safe surface to charge it.

ATTENTION

Material damage due to incorrect battery storage

Incorrect storage during charging can result in the battery e.g. falling down or damaging heat-sensitive surfaces.

Make sure charging of the separate battery takes place on a flat, smooth and heat-insensitive surface.

Furthermore, the battery should not be covered with objects (e.g. fabrics or papers) while it is being charged.

3. Plug the charger into a socket.

Insert the connecting plug into the charging socket of the wall bracket / battery.

Depending on the battery status, the 3 LED indicator lights flash or light up green during the charging process.

Illustration H

4. When the device is fully charged, all 3 LED indicator lights light up continuously green for 2 minutes and then go out.

Remove the charger from the socket/charging cable from the battery charging socket and socket.

Illustration I

5. Remove the device from the wall bracket or insert the battery into the device, see chapter *Inserting the battery*

The device is ready for use.

Removing the battery

⚠ WARNING **Uncontrolled startup**

Risk of injury

Remove the battery from the device before service and care work or if the device is not going to be used for a long period of time.

1. Press the unlocking button.
2. Remove the battery from the device.

Illustration J

Operation

LED display

The LEDs on the head of the device and on the battery indicate information about the battery status, boost mode and error messages.

The charging state of the battery is indicated by the 3 green LEDs on the device as well as by the 3 green LEDs on the battery.

See figure A on the graphics page and chapter *Description of the unit*

Battery charging state

LED	Duration of lighting	Meaning
1st LED flashes green	1 s on / 1 s off	Battery charged below 7.5 %
1st LED lights up green	continuously	Battery charged below 40 %
1st and 2nd LEDs light up green	continuously	Battery charged below 70 %
3 LEDs light up green	continuously	Battery charged above 70 %
3 LEDs flash green	125 ms on / 125 ms off	Battery fault, after 30 s the signal goes out

The charging progress of the battery is indicated by the 3 green LEDs on the device as well as by the 3 green LEDs on the battery. The LEDs only light up when the battery is correctly installed.

While charging

LED	Duration of lighting	Meaning
1st LED flashes green	0.2 s from off to on / 0.6 s on / 0.2 s from on to off / 1 s off	Battery charging, battery charged below 40 %
1st LED lights up green 2nd LED flashes green	continuously 0.2 s from off to on / 0.6 s on / 0.2 s from on to off / 1 s off	Battery charging, battery charged below 70 %
1st and 2nd LEDs light up green 3rd LED flashes green	continuously 0.2 s from off to on / 0.6 s on / 0.2 s from on to off / 1 s off	Battery charging, battery charged below 99 %

While charging

LED	Duration of lighting	Meaning
3 LEDs light up green	2 min continuous lighting, then off	Battery fully charged

Error message

LED	Duration of lighting	Meaning
Suction duct flashes red	125 ms on / 125 ms off	Suction channel clogged
Floor nozzle LED flashes red	125 ms on / 125 ms off	Floor nozzle blocked

See also chapter *Troubleshooting guide*

Boost mode

LED	Duration of lighting	Meaning
LED half ring lights up green	continuously	Boost mode on

Changing accessories

To change accessories, see chapter *Installing accessories*

Vacuuming

1. Install the required accessories, see chapter *Installing accessories*.
2. Switch on the device, depending on cleaning requirements:
 - Press the On/Off switch and keep it pressed during operation.
 - or
 - Turn the locking lever to switch the device directly to continuous operation.

Illustration K

3. If necessary, press the Boost button to increase the dust intake.

Illustration L

Note

When the device is switched off, the boost function is automatically disabled.

The boost function can also be switched off by pressing the Boost button again.

Ending operation

1. Switch off the device.
Release the On/Off switch or disable the locking lever.

Note

To ensure an optimum suction performance, empty the dust container and clean the air inlet filter after each use.

Empty the dust container at the latest when the "MAX" marking is reached.

2. Remove the suction pipe or accessory.
3. Empty the dust container into a waste container.
 - a Press the unlocking button.
The dust container flap opens.
 - b Empty the dust container.

Illustration M

4. To close the flap, push the dust container upwards until it clicks into place.

- Clean the air inlet filter, see chapter *Cleaning the air inlet filter*
- Depending on the scope of delivery, attach the unit to the wall bracket or to the free-standing parking station with charging function.

Illustration F Illustration G

- Storage of the accessories is to be carried out in accordance with the scope of delivery.
- Charge the unit with battery or charge the battery only, see chapter *Battery charging*.

How to use the Accessories

General instructions for use

- Which accessories are included in the scope of delivery is shown on the device packaging.
- Accessories not included in the packaging can be purchased in a KÄRCHER specialist shop or from www.kaercher.com.
- Test the accessory at an inconspicuous point before using it in a sensitive area.
- Follow the manufacturer's cleaning instructions.
- Connect the motor-driven electric nozzle to the suction pipe or the hand-held device.
- Also connect the other accessory parts, such as crevice nozzle, to the hand-held device or push it directly onto the suction pipe to increase the reach.

Motor-driven multi-function brush

Ideal for hard floors and carpets.
The motor-driven multi-function brush removes dirt stuck between the carpet fibres particularly effectively.

2-in-1 upholstery nozzle

The frame with the surrounding bristles can be taken off pressing the unlocking button.

- The soft brush is suitable for furniture with hard surfaces
- The wide brush is used to clean upholstered furniture, curtains, etc.

Crevice nozzle

For edges, joints, heaters and areas that are difficult to reach.

Soft brush

The soft brush has particularly soft bristles for cleaning sensitive surfaces such as keyboards, lamps, etc.

Flexible crevice nozzle

The flexible crevice nozzle increases the reach. For cleaning hard-to-reach places, such as between the car seats.

Flexible extension hose

Due to the extension and flexibility, hard-to-reach areas such as in the car can be reached and cleaned.

Large upholstery nozzle

For cleaning textile surfaces such as sofas, armchairs, mattresses, car seats, etc.

2-in-1 furniture brush

For gentle cleaning of sofas and delicate furniture. Depending on requirements, the accessory can be used as a furniture or upholstery nozzle by pressing the button.

Mini turbo brush

Ensures efficient removal of pet hair and dust particles from upholstered furniture, mattresses or other soft surfaces. The rotating round brush picks up even the finest hairs.

LED crevice nozzle

For cleaning corners and hard-to-reach areas. Thanks to the lights, even the finest dust in dark gaps becomes visible.

Soft motor-driven brush (Hard floor nozzle)

For hard floors and sensitive wooden floors. Extracts coarse and fine dirt simultaneously.

Transportation

The battery has been tested in accordance with the relevant rules for international transport, and can be transported / shipped.

Storage

ATTENTION

Moisture and heat

Risk of damage

Store battery packs indoors only, at low humidity and temperatures below 20°C.

The battery pack display shows the current charging state during storage.

Care and service

General care instructions

- Clean the device and plastic accessory parts with a commonly available plastic cleaner.

Cleaning the air inlet filter

Note

The device can be cleaned manually or using a filter cleaning device.

Cleaning the air inlet filter manually

- Switch off the device.
- Pull the soiled air inlet filter down at the filter stick, carefully beat it and clean it with a damp cloth or running water.

Illustration N

- Reinsert the fully dried air inlet filter.
- Check for correct seating.

Cleaning the air inlet filter with a filter cleaning device

Note

A new air inlet filter must be installed in the dust container during filter cleaning.

- Switch off the device.
- Push the filter cleaning device on to the suction pipe branch and pull the air inlet filter out of the device using the filter stick.

Illustration O

- Push the soiled air inlet filter into the filter cleaning device.
- Insert a new air inlet filter into the dust container.
- Switch on the device and let it run in boost mode while turning the side cover.

Illustration P

- Remove the cleaned air inlet filter from the filter cleaning tool and reinsert it in the dust container after removing the new air inlet filter.
- Check that the air inlet filter is correctly seated.

Cleaning the dust container and cyclone filter

Note

Before cleaning the dust container and cyclone filter, empty the dust container, see chapter *Ending operation*

1. Switch off the device.
2. Remove the cyclone filter and air inlet filter.
 - a. Remove the cyclone filter from the dust container by turning it anticlockwise.
 - b. Remove the cyclone filter from the dust container and take the air inlet filter out of the cyclone filter.

Illustration Q

ATTENTION

Short circuit hazard

There are cables or contacts in the dust container and cyclone filter for the power supply. Make sure that the cables or contacts do not get wet when cleaning.

3. Clean the dust container and cyclone filter with a soft brush or a slightly damp cloth

Illustration R

4. Clean the air inlet filter, see chapter *Cleaning the air inlet filter*
5. Re-insert the dry dust container and cyclone filter with air inlet filter into the device and close the flap.

Cleaning the HEPA filter/replacing the HEPA filter

Note

The HEPA filter ensures clean exhaust air.

- Clean the HEPA filter if it is visibly dirty.
- Replace the HEPA filter if there is visible damage.

1. Switch off the device.
2. Cleaning the HEPA filter.
 - a. Pull the HEPA filter cover with the HEPA filter out of the device.

Illustration S

ATTENTION

Short circuit hazard

Power supply cables or contacts are located in the cover of the HEPA filter.

Before cleaning with water, remove the cover of the HEPA filter so that the cables or contacts do not get wet.

3. Carefully knock off the HEPA filter or if it is very dirty:
 - a. Unscrew/remove the cover of the HEPA filter.
 - b. Clean the HEPA filter under running water. Do not rub or brush off.
 - c. Then let the HEPA filter dry completely.

Illustration T

- d. Fasten/screw on the HEPA filter cover.

ATTENTION

Health risk

HEPA filters that are not completely dry when installed in the device can be a breeding ground for spores and mould.

Make sure that the HEPA filter is completely dry on installation.

4. Insert the dry HEPA filter into the device.

Illustration V

Note

The HEPA filter only needs to be inserted into the device, a magnet allows the HEPA filter to snap into place automatically.

5. Replacing the HEPA filter
 - a. Pull the HEPA filter cover with the HEPA filter out of the device.

Illustration S

- b. Unscrew/pull off the cover of the HEPA filter and dispose of the used filter.
- c. Attach/screw on the new HEPA filter cover.

Illustration U

6. Insert the HEPA filter into the device.

Illustration V

Cleaning the multi-function nozzle

1. Switch off the device.
2. Remove accessories.

ATTENTION

Short circuit hazard

The multi-function brush contains electrical components.

You must not immerse the multi-function brush in water or clean it with a damp cloth.

3. Clean the multi-function brush.
 - a. Unlock the brush roll cover / support with a coin or other object and remove it.

Illustration W

- b. Remove the brush roll from the brush opening in the direction of the arrow.

Illustration X

- c. Remove the dirt e.g. with a brush. Any tangled threads or hairs can be carefully cut off with scissors.
- d. Carefully clean the brush opening with a cloth or soft brush.

Illustration Y

- e. Insert the brush roll into the brush opening.
- f. Lock the brush roll with a coin or other object.

Illustration Z

Cleaning the mini turbo nozzle

1. Switch off the device.
2. Remove accessories.

ATTENTION

Short circuit hazard

The mini turbo nozzle contains electrical components. Do not immerse the mini turbo nozzle in water or clean it with water.

3. Clean the mini turbo nozzle.
 - a. Press down the brush roller cover and remove the brush roller.

Illustration AA

- b. Remove residue, e.g. with a brush. Any tangled threads or hairs can be carefully cut off with scissors.
- c. Carefully clean the brush opening with a cloth or soft brush.

Illustration AB

- d. Diagonally insert the brush roller fully into the brush opening, pressing upwards until the cover has clicked into place.

Illustration AC

Troubleshooting guide

Malfunctions often have simple causes that you can remedy yourself using the following overview. When in doubt, or in the case of malfunctions not mentioned here, please contact your authorised Customer Service.

The device does not start up

Battery is empty.

- Charge the rechargeable battery.

Battery is not inserted correctly.

- Push the battery into the mount until it locks into place.

Battery is defective.

- Replace the battery.

The battery is not charging

The charging plug/mains plug is not connected correctly.

- Connect the charging plug/mains plug correctly.

The socket is defective.

- Check that the socket is working.

The wrong charger is being used

- Check that the correct charger is being used.

The device stops during operation or the suction performance is poor

The battery has overheated.

- Stop work and wait until the battery temperature is back in the normal range.

The accessories, the suction opening on the dust container or the suction pipes are clogged.

- Remove the clog with a suitable aid.

The dust container is full.

- Empty the dust container.

The filters are soiled.

- Clean the filters, see chapter *Care and service*.

Roller brush is blocked.

- Remove any blockage.

The LED indicator lamp for the suction channel and / or floor nozzle flashes red

Illustration AF

Blockage in the suction channel due to bulky objects / particles.

- Remove the clog with a suitable aid.

The dust container is full.

- Empty the dust container.

The filters are soiled.

- Clean the filters, see chapter *Care and service*.

Blockage in the floor nozzle due to bulky objects / particles.

- Remove the clog with a suitable aid.

Brush roll has got caught in long carpet fringes.

- Wear the device to separate the floor nozzle from the carpet.


Abnormal engine noise

The accessories, the suction opening on the dust container or the suction pipes are clogged.

- Remove the clog with a suitable aid.

Technical data

Electrical connection

Voltage of charger	V	25,2
Nominal power	W	250
Battery pack type		Li-ION
Charger		30 V TEK
Model		YLS0241A-E300060
Part number		9.754-741.0
Nominal voltage of charger	V	100 - 240
Frequency	Hz	50 - 60
Charging time when the battery is completely discharged	min	235
Protection class		II

Device performance data

Tank content	l	0,8
Operating time when battery is fully charged in normal operation	min	50
Operating time in maximum mode when battery fully charged	min	12

Dimensions and weights

Weight (without accessories)	kg	1,7
------------------------------	----	-----

Subject to technical modifications.

صورة إيضاحية W

b أخلع بكرة الفرشاة من فتحة الفرشاة في اتجاه السهم.

صورة إيضاحية X

c أزل التآساختات، مثلاً بفرشاة. يمكن قطع أي خيوط أو شعر متشابك بعناية باستخدام مقص.

d نظّف فتحة الفرشاة بعناية بقطعة قماش أو فرشاة ناعمة.

صورة إيضاحية Y

e أدخل بكرة الفرشاة في فتحة الفرشاة.

f قم بقلب بكرة الفرشاة بعملة معدنية أو أي أداة أخرى.

صورة إيضاحية Z

تنظيف الفوهة التوربو الصغيرة

1. أطفئ الجهاز.
2. أخلع الملحقات.

تنبيه

خطر دائرة قصر

تحتوي الفوهة التوربو الصغيرة على أجزاء كهربائية. تجنب عمر الفوهة التوربو الصغيرة في الماء أو تنظيفها وهي رطبة.

3. نظف الفوهة التوربو الصغيرة.

a اضغط غطاء بكرة الفرشاة لأسفل وأزل بكرة الفرشاة.

صورة إيضاحية AA

b أزل المخلفات، مثلاً باستخدام فرشاة. يمكن قطع أي خيوط أو شعر متشابك بعناية باستخدام مقص.

c نظف فتحة الفرشاة بعناية بقطعة قماش أو فرشاة ناعمة.

صورة إيضاحية AB

d أدخل بكرة الفرشاة بشكل مائل وبالكامل في فتحة الفرشاة، وأثناء ذلك اضغط للأعلى حتى يثبت الغطاء.

صورة إيضاحية AC

مساعدة في حالة حدوث أعطال

في الغالب تكون للاختلالات أسباب بسيطة يمكنك التغلب عليها ببساطة بالاستعانة بالعرض العام التالي. في حالات الشك أو عند حدوث اختلالات غير مذكورة هنا فيرجى التوجه إلى خدمة العملاء المعتمدة.

الجهاز لا يعمل

- البطارية فارغة.
- اشحن البطارية.
- البطارية غير مركبة بشكل صحيح.
- ادفع البطارية في موضعها حتى تثبت في مكانها.
- البطارية تالفة.
- استبدل البطارية.

لا يتم شحن البطارية

قابس الشحن/ القابس الكهربائي غير موصل بشكل صحيح.

قم بتوصيل قابس الشحن/القابس الكهربائي بشكل صحيح.

المقبس الكهربائي تالف.

تأكد من أن المقبس الكهربائي يعمل.

يتم استخدام الشاحن الخاطئ.

تأكد من استخدام الشاحن الصحيح.

الجهاز يتوقف أثناء التشغيل أو قوة الشفط ضعيفة

- البطارية ساخنة للغاية.
- أوقف العمل وانتظر حتى تصبح درجة حرارة البطارية في النطاق العادي.
- انسداد الملحق وفتحة الشفط في وعاء الغبار أو أنابيب الشفط.
- أزل الانسداد باستخدام وسائل مساعدة مناسبة.
- وعاء الغبار ممتلئ.
- أفرغ وعاء الغبار.
- الفلتر متسخة.
- قم بتنظيف الفلتر، انظر فصل العناية والصيانة.
- انسداد بكرة الفرشاة.
- أزل العوائق.

تومض لمبة البيان LED الخاصة بقناة الشفط و/أو فوهة تنظيف

الأرضيات باللون الأحمر

صورة إيضاحية AF

انسداد قناة الشفط بسبب الأجسام/الجزئيات الكبيرة.

أزل الانسداد باستخدام وسائل مساعدة مناسبة.

وعاء الغبار ممتلئ.


أفرغ وعاء الغبار.

الفلتر متسخة.

- قم بتنظيف الفلتر، انظر فصل العناية والصيانة.
- انسداد في فوهة تنظيف الأرضيات بسبب الأجسام/الجزئيات الكبيرة.
- أزل الانسداد باستخدام وسائل مساعدة مناسبة.
- اشتبك بكرة الفرشاة في أهداب السجادة الطويلة.
- ارفع الجهاز لفصل فوهة تنظيف الأرضيات والسجادة.
- ضغيج محرك غير طبيعي
- انسداد الملحق وفتحة الشفط في وعاء الغبار أو أنابيب الشفط.
- أزل الانسداد باستخدام وسائل مساعدة مناسبة.

البيانات الفنية

توصيل الطاقة

25,2	V	جهد الشاحن
250	W	إدخال الطاقة المقدر
Li-ION		نوع علية البطارية
V 30 TEK		جهاز الشحن
YLS024 -1A E300060		الموديل
-9.754 741.0		رقم القطعة
- 100 240	V	الجهد الاسمي لجهاز الشحن
60 - 50	Hz	التردد
235	min	وقت الشحن عندما تكون البطارية فارغة بالكامل
II		فئة الحماية

أداء الجهاز

0,8	l	محتوى الوعاء
50	min	وقت التشغيل عندما تكون البطارية مشحونة بالكامل
12	min	مدة التشغيل عندما تكون البطارية مشحونة بالكامل في وضع التشغيل الأقصى

الأبعاد الوزن

1,7	kg	الوزن (من دون ملحقات)
-----	----	-----------------------

المواصفات الفنية خاضعة للتعديل.

فرشاة توربو صغيرة

تتكفل بالازالة الفعالة لشعر الحيوانات الاليفة وجزيئات الغبار الموجودة على المفروشات أو المرانج أو الأسطح الناعمة الأخرى. تلتقط الفرشاة المستديرة الدوارة الشعيرات الدقيقة للغاية.

فوهة شقوق ذات لمبة LED

لتنظيف الزوايا والمناطق التي يصعب الوصول إليها. ويفضل الإضاءة. يمكن رؤية التربة الناعمة للغاية في الفجوات المظلمة.

فرشاة ناعمة ألبه (فوهة الأرضيات الصلبة)

للأرضيات الصلبة والأرضيات الخشبية الحساسة. تمتص الاتساخات الخشنة والناعمة في نفس الوقت.

الشحن

تم اختبار البطارية وفقاً للوائح المعنية للاتفاقيات الدولية للنقل وبسبب أن يتم نقلها / إرسالها.

التخزين

تنبيه

الرطوبة والحرارة

خطر التعرض لضرب
لا تخزن على البطارية إلا في الأماكن الداخلية الجافة ذات الرطوبة المنخفضة والتي لا تزيد درجة حرارتها عن 20 درجة مئوية.
تعرض شاشة علبه البطارية أثناء التخزين حالة الشحن الحالية.

العناية والصيانة

تعليمات العناية العامة

- يجب العناية بالجهاز والملحقات البلاستيكية وتنظيفها بمنظف البلاستيك المتداول في الأسواق.

تنظيف فلتري مدخل الهواء

إرشاد

يمكن تنظيف الجهاز يدوياً أو باستخدام جهاز تنظيف الفلتري.

تنظيف فلتري مدخل الهواء يدوياً

- 1 أطفئ الجهاز.
- 2 اسحب فلتري مدخل الهواء المتسخ لأسفل من قضيب الفلتري، ثم انفضه بحذر ونظفه بقطعة قماش مبللة أو تحت ماء الصنبور.

صورة إيضاحية N

- a اعد تركيب فلتري مدخل الهواء المجفف تماماً.
- b تحقق من التثبيت الصحيح.

تنظيف فلتري مدخل الهواء بجهاز تنظيف الفلتري

إرشاد

يجب تركيب فلتري مدخل هواء جديد في وعاء الغبار أثناء تنظيف الفلتري.

- 1 أطفئ الجهاز.
- 2 أدخل جهاز تنظيف الفلتري على فوهة أنبوب الشفط واسحب فلتري مدخل الهواء خارج الجهاز من قضيب الفلتري.

صورة إيضاحية O

- a أدخل فلتري مدخل الهواء المتسخ في جهاز تنظيف الفلتري.
- b أدخل فلتري مدخل هواء جديداً في وعاء الغبار.
- c قم بتشغيل الجهاز واتركه يعمل في وضع التعزيب مع تدوير الغطاء الجانبي أثناء ذلك.

صورة إيضاحية P

- d قم بإزالة فلتري مدخل الهواء النظيف من أداة تنظيف الفلتري وأعد إدخاله في وعاء الغبار بعد إزالة فلتري مدخل الهواء الجديد.
- e تحقق من التثبيت الصحيح لفلتري مدخل الهواء.

تنظيف وعاء الغبار والفلتري الدوامي

إرشاد

قم بتفريغ وعاء الغبار قبل تنظيف وعاء الغبار والفلتري الدوامي، انظر فصل إيقاف التشغيل

- 1 أطفئ الجهاز.
- 2 اخلع الفلتري الدوامي وفلتري مدخل الهواء.
- a قم بجل الفلتري الدوامي من وعاء الغبار من خلال تدويره عكس اتجاه عقارب الساعة.
- b أخرج الفلتري الدوامي من وعاء الغبار وفلتري مدخل الهواء من الفلتري الدوامي.

صورة إيضاحية Q

تنبيه

خطر دائرة قصر

توجد كابلات أو ملامسات في وعاء الغبار والفلتري الدوامي للامداد بالطاقة.

تأكد من عدم تعرض الكابلات أو الملامسات للرطوبة عند التنظيف.

3 تنظيف وعاء الغبار والفلتري الدوامي بفرشاة ناعمة أو قطعة قماش مبللة قليلاً

صورة إيضاحية R

4 قم بتنظيف فلتري مدخل الهواء، انظر فصل تنظيف فلتري مدخل الهواء

5 أعد تركيب وعاء الغبار الجاف والفلتري الدوامي مع فلتري مدخل الهواء في الجهاز وأغلق الغطاء.

تنظيف فلتري امتصاص الجزيئات عالي الكفاءة HEPA / استبدال فلتري امتصاص الجزيئات عالي الكفاءة HEPA

إرشاد

يضمن فلتري HEPA طرد هواء نقي.

- قم بتنظيف فلتري HEPA إذا كان منسجاً بشكل واضح.
- استبدل فلتري HEPA إذا كان به ضرر واضح.

- 1 أطفئ الجهاز.
- 2 تنظيف فلتري HEPA.

a اسحب غطاء فلتري HEPA مع فلتري HEPA من الجهاز.

صورة إيضاحية S

تنبيه

خطر دائرة قصر

توجد كابلات أو ملامسات في غطاء فلتري HEPA للامداد بالطاقة. قبل التنظيف باماء، اخلع غطاء فلتري HEPA حتى لا يتعرض الكابلات أو الملامسات للرطوبة.

3 الضغط بحذر على فلتري HEPA أو إذا كان منسجاً للغاية:

a قم بفاك / إزالة غطاء فلتري HEPA.

b قم بتنظيف فلتري HEPA تحت ماء الصنبور. عدم استخدام الفرغ أو التنظيف بالفرشاة.

c ثم اترك فلتري HEPA يجف تماماً.

صورة إيضاحية T

d قم بتثبيت / ربط الغطاء على فلتري HEPA.

تنبيه

خطر على الصحة

فلتري HEPA التي يتم تركيبها في الجهاز دون تجفيفها بالكامل قد تكون أرضاً خصبة للجراثيم والعفن الفطري.

تأكد من جفاف فلتري HEPA تماماً عند التركيب.

4 أدخل فلتري HEPA الجاف في الجهاز.

صورة إيضاحية V

إرشاد

يجب إدخال فلتري HEPA في الجهاز فقط، وستولى قطعة المغناطيس تثبيت فلتري HEPA تلقائياً.

5 استبدال فلتري HEPA

a اسحب غطاء فلتري HEPA مع فلتري HEPA من الجهاز.

صورة إيضاحية S

b قم بفاك / سحب غطاء فلتري HEPA وتخلص من الفلتري المستخدم.

c قم بتثبيت/ربط الغطاء على فلتري HEPA الجديد.

صورة إيضاحية U

6 أدخل فلتري HEPA في الجهاز.

صورة إيضاحية V

تنظيف الفرشاة متعددة الوظائف

- 1 أطفئ الجهاز.
- 2 اخلع الملحقات.

تنبيه

خطر دائرة قصر

تحتوي الفرشاة متعددة الوظائف على مكونات كهربائية.

يجب ألا يتم غمر الفرشاة متعددة الوظائف في الماء أو تنظيفها بقطعة قماش مبللة.

3. قم بتنظيف الفرشاة متعددة الوظائف.

a افتح غطاء/حامل بكرة الفرشاة بعلمة معدنية أو أي أداة أخرى، ثم اخلعه.

المعنى	مدة الإضاءة	لمبة LED
البطارية قيد الشحن، وشحن البطارية أقل من 99 %	باستمرار 0.2 ثانية من إيقاف إلى تشغيل / 0.6 ثانية تشغيل / 0.2 ثانية من تشغيل إلى إيقاف / 1 ثانية إيقاف	لمبة LED 2 و 1 تضيء باللون الأخضر لمبة LED 3 تومض باللون الأخضر
البطارية مشحونة بالكامل	إضاءة مستمرة لمدة دقيقتين، ثم إيقاف	تضيء 3 لمبات LED باللون الأخضر

بلاغ الخطأ

المعنى	مدة الإضاءة	لمبة LED
قناة الشفط مسدودة	125 مل ثانية تشغيل / 125 مل ثانية إيقاف	لمبة LED لفتاة الشفط تومض باللون الأحمر
فوهة تنظيف الأرضيات مسدودة	125 مل ثانية تشغيل / 125 مل ثانية إيقاف	لمبة LED لفوهة تنظيف الأرضيات تومض باللون الأحمر

انظر أيضا فصل مساعدة في حالة حدوث أعطال

وضع التعزيز

المعنى	مدة الإضاءة	لمبة LED
وضع التعزيز قيد التشغيل	باستمرار	نصف حلقة LED تضيء باللون الأخضر

تغيير الملحقات

تغيير الملحقات، انظر فصل تركيب الملحقات

شفط

- قم بتركيب الملحقات المرغوبة، انظر فصل تركيب الملحقات.
- قم بتشغيل الجهاز حسب متطلبات التنظيف:
- اضغط على مفتاح التشغيل/الإيقاف واحتفظ به مضغوطة أثناء التشغيل.
- أو
- قم بتحويل الجهاز إلى التشغيل المستمر مباشرة من خلال تدوير ذراع تأمين الوقوف.
- صورة إيضاحية K
وإذا لزم الأمر، اضغط على زر التعزيز لزيادة تجميع الغبار.
- صورة إيضاحية L

إرشاد

عند إيقاف تشغيل الجهاز، يتم إيقاف فعالية وظيفة التعزيز تلقائياً. يمكن أيضاً إيقاف وظيفة التعزيز بالضغط على زر التعزيز مرة أخرى.

إيقاف التشغيل

- أطفئ الجهاز.
اترك مفتاح التشغيل/الإيقاف أو أوقف فعالية ذراع تأمين الوقوف.

إرشاد

- لضمان قوة شفط مثالية، قم بتفريغ وعاء الغبار وتنظيف فلتر مدخل الهواء بعد كل استخدام.
- قم بتفريغ وعاء الغبار عند الوصول إلى علامة الحد الأقصى "MAX" على أقصى تقدير.
- اخلع أنبوب الشفط أو الملحقات.
 - أفرغ وعاء الغبار في سلة المهملات.
 - اضغط على زر التحرير a
بفتح غطاء وعاء الغبار.

b أفرغ وعاء الغبار.

صورة إيضاحية M

- للاغلاق، اضغط غطاء وعاء الغبار لأعلى حتى يثبت.
- قم بتنظيف فلتر مدخل الهواء، انظر فصل تنظيف فلتر مدخل الهواء
- اعتماداً على مجموعة التجهيزات الموردة، تيّت الجهاز بالحامل الجداري أو بقاعدة الإيقاف القائمة بذاتها المزودة بوظيفة الشحن.

صورة إيضاحية F

صورة إيضاحية G

- قم بتخزين الملحقات اعتماداً على مجموعة التجهيزات الموردة.
- صورة إيضاحية AE
اشحن الجهاز مع البطارية أو اشحن البطارية فقط، انظر فصل شحن البطارية.

استخدام الملحقات

تعليمات الاستخدام العامة

- يظهر على عبوة تغليف الجهاز الملحقات التي تتوفر ضمن مجموعة التجهيزات الموردة.
- يمكن شراء الملحقات غير المدرجة في عبوة التغليف من تاجر متخصص في منتج KÄRCHER أو عبر الموقع www.kaercher.com.
- افحص الملحقات على منطقة غير لافتة قبل استخدامها على موضع حساس.
- اتبع تعليمات التنظيف الصادرة عن الشركة المصنعة.
- قم بتوصيل الفوهة الكهربائية المزودة بمحرك بأنبوب الشفط أو الجهاز المحمول باليد.
- قم بتوصيل الملحقات الأخرى، مثل فوهة الشقوق بالجهاز المحمول باليد أو ادخلها مباشرة على أنبوب الشفط لزيادة نطاق الوصول.

فرشاة متعددة الوظائف مزودة بمحرك

مثالية للأرضيات الصلبة والسجاد.
تستطيع الفرشاة متعددة الوظائف المرودة بمحرك إزالة الاتساخات العالقة في الألياف السجاد بشكل فعال للغاية.

فوهة تتجدد في 1

- يمكن إزالة الاطار مع الشعيرات المحيطة بالضغط على زر التحرير.
- الفرشاة الناعمة مناسبة لقطع الأثاث ذات الأسطح الصلبة
- تستخدم الفرشاة العريضة لتنظيف الأثاث المنجد والستائر وما إلى ذلك.

فوهة الشقوق

للحواف والشقوق والسحانات والمناطق التي يصعب الوصول إليها.

فرشاة ناعمة

تميز الفرشاة الناعمة بشعيرات ناعمة للغاية لتنظيف الأسطح الحساسة، مثل لوحات المفاتيح والمصابيح وما إلى ذلك.

فوهة شقوق مرنة

تعمل فوهة الشقوق المرنة على زيادة نطاق الوصول. لتنظيف المناطق التي يصعب الوصول إليها مثل المناطق الموجودة بين مقاعد السيارة.

خرطوم التمديد المرين

بفضل التمديد والمرونة، يمكن الوصول إلى المناطق التي يصعب الوصول إليها، مثلاً في السيارة، وتنظيفها.

فوهة المفروشات الكبيرة

تنظيف الأسطح القماشية مثل الأرائك والكراسي والمراتب ومقاعد السيارات وما إلى ذلك.

فرشاة تنظيف الأثاث في 1

تنظيف الأرائك والأثاث الحساس برفق. وحسب اللزوم، يمكن استخدام الملحق كفهة تنظيف الأثاث أو تنظيف المفروشات عن طريق الضغط على الزر.

بدء التشغيل

تركيب الملحقات

إرشاد

يتم تشغيل الفرشاة متعددة الوظائف أيضًا بواسطة محرك مدمج خاص بها، وبالتالي يجب توصيلها دائمًا بالجهاز المحمول باليد أو أنبوب الشفط لضمان الأمداد بالطاقة.

يمكن أيضًا استخدام جميع الملحقات الأخرى مباشرة مع الجهاز المحمول باليد أو مع أنبوب الشفط لزيادة نطاق الوصول.

● ادفع أنبوب الشفط على فتحة الشفط بوعاء الغبار حتى يثبت بصوت مسموع.

● اضغط على زر التحرير واخلع أنبوب الشفط من فتحة الشفط.

● ادفع فوهة تنظيف الأرضيات على أنبوب الشفط حتى تثبت بصوت مسموع.

● اضغط على زر التحرير واخلع فوهة تنظيف الأرضيات من فتحة الشفط.

● ادخل الملحق، مثل فوهة الشقوق على فتحة الشفط لوعاء الغبار أو أنبوب الشفط حتى يثبت بصوت مسموع.

● صورة إيضاحية D

تركيب البطارية

تنبيه

الملابس متسخة

أضرار بالجهاز والبطارية
أفضل موضع للبطارية والملابس قبل التركيب للتحقق من عدم وجود انساحات وتنظيفها عند اللزوم.

إرشاد

لا تستخدم إلا بطاريات مشحونة بالكامل فقط.

1. دفع البطارية في موضعها حتى تثبت بصوت مسموع.

● صورة إيضاحية E

شحن البطارية

إرشاد

يتم توريد الجهاز بدون بطارية مشحونة. اشحن البطارية بالكامل قبل التشغيل لأول مرة.

● يرجى مراعاة تعليمات السلامة المرفقة للمكانس الكهربائية العاملة ببطارية.

إرشاد

يمكن شحن البطارية مع الجهاز أو بشكل منفصل (مثلًا مع الطرازات المزودة ببطارية إضافية).

إرشاد

وصف تفصيلي لبيانات LED، انظر فصل بيان LED

1. اشحن البطارية مع الجهاز.

● للشحن، قم ب تثبيت الجهاز على الحامل الجداري المزود بوظيفة الشحن المرفق في مجموعة التجهيزات الموردة.

● صورة إيضاحية F

● اشحن البطارية بشكل منفصل.

● صنع البطارية على سطح مستو وأمن للشحن.

تنبيه

أضرار مادية من خلال التخزين غير الصحيح للبطارية
قد تتعرض البطارية للسقوط مثلًا أو تلف الأسطح الحساسة للحرارة من خلال التخزين غير الصحيح أثناء الشحن.

تأكد من شحن البطارية المنفصلة يتم على سطح مستو وناعم وغير حساس للحرارة.

علاوة على ذلك، يحظر تغطية البطارية بأية أغراض (مثل الأقمشة أو الأوراق) أثناء شحنها.

3. قم بتوصيل الشاحن في المقبس.

أدخل قابس التوصيل في مقبس الشحن الخاص بالحامل الجداري/البطارية.

اعتمادًا على حالة البطارية، تومض لمبات البيان LED الثلاث أو تضيء باللون الأخضر أثناء عملية الشحن.

● صورة إيضاحية H

4. عند شحن الجهاز بالكامل، تضيء جميع لمبات البيان LED الثلاث باللون الأخضر باستمرار لمدة دقيقتين، ثم تطفئ.

أخرج الشاحن من المقبس/كابل الشحن من مقبس شحن البطارية والمقبس الكهربائي.

صورة إيضاحية I

5. اسحب الجهاز من الحامل الجداري أو ركب البطارية في الجهاز.

انظر الفصل تركيب البطارية

يكون الجهاز مستعدًا للتشغيل.

إخراج البطارية

⚠ تحذير

بدء التشغيل بدون تحكم

خطر الإصابة

اخلع البطارية من الجهاز قبل أعمال الصيانة والعناية أو في حالة عدم استخدام الجهاز لفترة طويلة.

1. اضغط زر التحرير.

2. اخرج البطارية من الجهاز.

صورة إيضاحية J

التشغيل

بيان LED

تعرض لمبات LED الموجودة على رأس الجهاز وعلى البطارية معلومات حول حالة البطارية ووضع التعزيز وبلغات الخطأ.

يمكن قراءة مستوى شحن البطارية من خلال لمبات LED الثلاث الخضراء على الجهاز ولمبات LED الثلاث الخضراء على البطارية.

انظر الصورة A في صفحة الرسومات والفصل مواصفات الجهاز

مستوى شحن البطارية

لمبة LED	مدة الإصابة	المعنى
1. لمبة LED تومض باللون الأخضر	1 ثانية تشغيل / 1 ثانية إيقاف	شحن البطارية أقل من 7.5 %
1. لمبة LED تضيء باللون الأخضر	باستمرار	شحن البطارية أقل من 40 %
1 و 2 لمبة LED تضيء باللون الأخضر	باستمرار	شحن البطارية أقل من 70 %
تضيء 3 لمبات LED باللون الأخضر	باستمرار	شحن البطارية أعلى من 70 %
تومض 3 لمبات LED باللون الأخضر	125 مل ثانية تشغيل / 125 مل ثانية إيقاف	خلل في البطارية، تتوقف الإشارة الصوتية بعد 30 ثانية

يمكن قراءة تقدم شحن البطارية من خلال لمبات LED الثلاث الخضراء على الجهاز ولمبات LED الثلاث الخضراء على البطارية.

تضيء لمبات LED فقط عند تركيب البطارية بشكل صحيح.

أثناء الشحن

لمبة LED	مدة الإصابة	المعنى
1. لمبة LED تومض باللون الأخضر	0.2 ثانية من إيقاف إلى تشغيل / 0.6 ثانية تشغيل /	البطارية قيد الشحن، وشحن البطارية أقل من 40 %
2. لمبة LED تومض باللون الأخضر	0.2 ثانية من إيقاف إلى تشغيل / 0.6 ثانية إيقاف	البطارية قيد الشحن، وشحن البطارية أقل من 70 %
1. لمبة LED تضيء باللون الأخضر	0.2 ثانية من إيقاف إلى تشغيل / 0.6 ثانية إيقاف	البطارية قيد الشحن، وشحن البطارية أقل من 70 %
2. لمبة LED تضيء باللون الأخضر	0.2 ثانية من إيقاف إلى تشغيل / 0.6 ثانية إيقاف	البطارية قيد الشحن، وشحن البطارية أقل من 70 %
1. لمبة LED تضيء باللون الأخضر	0.2 ثانية من إيقاف إلى تشغيل / 0.6 ثانية إيقاف	البطارية قيد الشحن، وشحن البطارية أقل من 70 %

الملحقات التكميلية وقطع الغيار

استخدام الملحقات التكميلية الأصلية وقطع الغيار الأصلية فقط، والتي تضمن تشغيل الجهاز بشكل آمن وخالٍ من الاختلالات. تجد المعلومات الخاصة بالملحقات التكميلية وقطع الغيار على الموقع www.kaercher.com.

الضمان

يسري في كل دولة شروط الضمان التي تضعها شركة التسويق المتخصصة التابعة لنا. نحن نتولى إصلاح الأخطاء التي قد تطرأ على جهازك خلال فترة الضمان بدون مقابل، عندما يكون سبب هذه الأعطال ناجم عن عيب في المواد المستخدمة أو في عملية التصنيع. في حالة استحقاق الضمان، توجه من فضلك بقسيمة الشراء إلى أقرب موزع أو مركز خدمة عملاء معتمد. (العنوان على الصفحة الخلفية)

محتوى التسليم

محتوى تسليم الجهاز مصور على العبوة. تأكد من وجود جميع محتويات العبوة عند فتحها. وفي حالة نقص أية ملحقات تكميلية أو اكتشاف أي تلف بها ناتج عن عملية النقل، يرجى إخطار البائع.

مواصفات الجهاز

يتم عرض مجموعة التجهيزات الموردة للجهاز (حسب الموديل) على عبوة التغليف. يصف دليل التشغيل هذا جميع الخيارات المتاحة. للأشكال، انظر صفحة الصور.

صورة إيضاحية A

- 1 لمبة البيان LED لوظيفة التعزيز
- 2 لمبة البيان LED للبطارية/بلاغ خطأ البطارية
- 3 لمبة البيان LED لخلل فوهة تنظيف الأرضيات
- 4 لمبة البيان LED لخلل قناة الشفط
- 5 لمبة البيان LED لخلل مستشعر الغبار
- 6 * فلتير امتصاص الجزيئات عالي الكفاءة HEPA
- 7 زر وظيفة التعزيز (زيادة قوة الشفط)/غطاء فلتير امتصاص الجزيئات عالي الكفاءة HEPA
- 8 مفتاح التشغيل/الإيقاف المزود بذراع تأمين الوقوف
- 9 مقبض
- 10 بطارية قابلة للاستبدال
- 11 زر تحرير البطارية
- 12 فلتير مدخل الهواء
- 13 غطاء وعاء الغبار
- 14 وعاء الغبار
- 15 زر تحرير غطاء وعاء الغبار
- 16 فتحة الشفط بوعاء الغبار
- 17 فرشاة كهربائية بمحرك مع بكرة فرشاة عامة وإضاءة LED
- 18 أنبوب الشفط
- 19 جهاز الشحن
- 20 حامل جداري مزود بوظيفة الشحن
- 21 ** فوهة الشقوق
- 22 ** فوهة تنظيف المفروشات 2 في 1
- 23 ** فلتير مدخل الهواء (2)
- 24 ** أداة تنظيف الفلتر

25 ** فوهة توربو صغيرة

26 ** فرشاة تنظيف الأثاث 2 في 1

27 ** فوهة تنظيف المفروشات الكبيرة

28 ** فوهة شقوق ذات لمبة LED

29 ** خرطوم التمديد

30 ** فوهة شقوق مرنة

31 ** بطارية قابلة للإزالة (2)

32 ** فرشاة ناعمة

33 ** قاعدة إيقاف قائمة بذاتها

34 ** فرشاة ناعمة آلية (فوهة الأرضيات الصلبة)

* EN 1822:1998

** اختياري

تركيب الحامل الجداري / قاعدة التخزين القائمة بذاتها المزودة بوظيفة الشحن

تشتمل مجموعة التجهيزات الموردة على حامل جداري أو قاعدة إيقاف قائمة بذاتها مزودة بوظيفة شحن لتخزين المكنتسة الكهربائية والملحقات بعناية.

• تركيب الحامل الجداري

إرشاد

قم بتركيب الحامل الجداري في مكان مناسب باستخدام البراغي وحوابير فيشر المرفقة.

لتخزين الجهاز بشكل آمن، يجب وضع وسيلة التثبيت الملولية السفلية للحامل الجداري على مسافة تتراوح بين 0.83-0.85 م من الأرضية.

صورة إيضاحية F

تنبيه

أضرار مادية بسبب التركيب غير الصحيح

قد يؤدي التركيب غير الصحيح إلى إتلاف كل من الجهاز والأرضية من خلال سقوطه.

استخدم أدوات التثبيت المناسبة للتثبيت على الحائط.

عند اختيار عناصر التثبيت احرص على مراعاة وزن الجهاز والقدرة التحملية لموضع التركيب.

⚠ تحذير

خطر التعرض لصدمة كهربائية والإصابة

تأكد من عدم وجود كابلات كهربائية أو أنابيب ماء أو غاز في الحائط حول منطقة التركيب.

• تركيب قاعدة الإيقاف القائمة بذاتها

إرشاد

التركيب على جدار ليس ضروريًا.

1 ضع القدم وأنبوب التوصيل والحامل معا واتركها تثبت بصوت مسموع.

2 ضع الجهاز في الحامل.

صورة إيضاحية G

تنبيه

خطر الإصابة أو حدوث ضرر مادي

عند وضع قاعدة الإيقاف بشكل غير مناسب (مثلًا في منتصف الغرفة)، يمكن أن تتعرض للتعثر والإصابة و/أو السقوط وقد يتعرض الجهاز للضرر من جراء السقوط.

ضع الجهاز بينما قاعدة الإيقاف في موضع آمن ومستقر (مثل الجدار والزوايا).




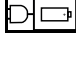
إرشاد

يتم التفكيك عن طريق الضغط على أزرار التحرير الموجودة في الخلف بقاعدة الإيقاف بالقدم والحامل.

- قم بشحن علب البطارية في مكان جاف.

رموز على علب البطارية

(اعتماداً على نوع الجهاز / البطارية)

لا ترم البطارية في المياه.	
لا ترم البطارية في النار.	
لا تشحن علب البطاريات التالفة.	
لا تستخدم علب البطارية إلا مع أجهزة الشحن المسموح بها. يمكن العثور على معلومات عن نوع الشاحن / المحول الذي يجب استخدامه على اللوحة الاسمية للشاحن المورد وأو في البيانات الفنية في تعليمات التشغيل الخاصة بالجهاز.	

إرشادات السلامة للنقل

- يخضع بطارية الليثيوم-أيون لمتطلبات قانون البضائع الخطرة. يمكن نقل علب البطارية غير التالفة والقابلة للتشغيل من قبل المستخدم دون رسومات أخرى ضمن النقل العام. قم بمراجعة المتطلبات الخاصة للتعبئة والتعبئة والتمييز عند نقلها من قبل طرف ثالث (شركات النقل).
- قم بإرسال علب البطارية إذا كانت العلبه غير تالفة فقط.
- قم بفك التصق من الجهات المفقوحة.
- قم بتعبئة علب البطارية بإحكام، وأمان. لا يُسمح بأن تتحرك علبه البطارية في العبوة.

خطر

- يجب عدم شحن علب البطاريات المعيبة أو غير القابلة للتشغيل، ويجب التخلص منها في الموقع وفقاً للوائح المعمول بها.
- عليك مراعاة اللوائح الوطنية.

إرشادات عامة

- يرجى قراءة دليل التشغيل لهذا قبل اول استخدام للجهاز وكذلك إرشادات السلامة المرفقة. ثم يجب استخدام الجهاز وفقاً لذلك.
- عليك الاحتفاظ بكل الكتيبيين وذلك للاستخدام اللاحق أو تسليمهما للمالك التالي.

الاستخدام المطابق لتعليمات

- استخدم الجهاز للاستعمال المنزلي فقط.
- الجهاز مخصص لتنظيف الأرضيات الجافة فقط
- بعد ما يلي استخداماً غير مطابق للغرض:
 - شطف الأشخاص أو الحيوانات أو النباتات أو الملابس على الجسم.
 - شطف الماء أو السوائل الأخرى.
 - شطف الرماد المتوهج أو الفحم أو السجائر أو غيرها من المواد القابلة للاشتعال أو التي تشتعل بسهولة.
 - الاستخدام بالقرب من المواد المتفجرة أو سهلة الاشتعال.

حماية البيئة

- المواد المستخدمة في التغليف قابلة لإعادة التدوير. يرجى التخلص من مواد التغليف بطريقة تحافظ على البيئة.
- تحتوي الأجهزة الكهربائية والإلكترونية على مواد قيمة قابلة لإعادة التدوير وغالباً ما تحتوي أيضاً على مكونات مثل البطاريات أو المراكمت أو الزيوت والتي قد تشكل خطورة على صحة الإنسان والبيئة في حالة التعامل معها بشكل غير صحيح أو إذا تم التخلص منها بصورة خاطئة. إلا أن هذه المكونات ضرورية لتشغيل الجهاز بصورة سليمة. لا يجوز التخلص من الأجهزة المميزة بهذا الرمز عن النفايات المنزلية.


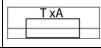

⚠ تنويه • لا تستخدم جهاز الشحن عندما يكون في حالة رطبة أو ممتسخة. • حافظ على أن تكون فتحات تهوية جهاز الشحن مفتوحة. • لا تشد قابس الشبكة من كابل الشبكة من المقبس. • لا تحمل/لا تنقل جهاز الشحن من كابل وصلة الشبكة.

تنبيه • خطر الماس الكهربائي. قم بحماية ملامسات حامل البطارية من الأجزاء المعدنية. • استخدم وخرّن جهاز الشحن في الأماكن الجافة فقط.

إرشاد • يمكن العثور على معلومات عن نوع الشاحن / المحول الذي يجب استخدامه على اللوحة الاسمية للشاحن المورد وأو في البيانات الفنية في تعليمات التشغيل الخاصة بالجهاز.

رموز موجودة على جهاز الشحن

(بحسب الشاحن)

عليك حماية الجهاز من البلل. حرّن الجهاز في مكان جاف. لا تضع الجهاز تحت المطر. الجهاز يصلح للاستخدام الداخلي فقط.	
يحتوي الجهاز على مصهر مدمج. القيمة (X) بالأمبير موجودة على الشاحن المعنى.	
الجهاز يقى متطلبات فنة الحماية II.	

تعليمات السلامة، البطارية / علب البطارية

⚠ خطر

- لا تقم بشحن علب البطارية في مكان قابل للانفجار.
- لا ترمي على البطاريات في النار أو في القمامة المنزلية.
- تجنب ملامسة السائل المتسرب من البطاريات التالفة. عليك شطف السائل في حالة ملامسته فوراً بالماء وفي حالة ملامسته العين قم بالإضافة إلى ذلك باستشارة الطبيب.
- خطر الانفجار. عدم شحن البطاريات غير القابلة لإعادة الشحن.

⚠ تحذير

- تأكد من تطابق فولطية علب البطارية مع البيانات المذكورة على اللوحة الاسمية للجهاز المستخدم.
- افحص علبه البطارية قبل كل عملية تشغيل من حيث وجود أضرار. لا تقم باستخدام علبه بطارية تالفة.
- لا تقوم بشحن حزم بطاريات تالفة.
- قم باستبدال حزم البطاريات التالفة بأخرى معتمدة من قبل شركة كارش.
- لا ينطبق على الأجهزة المزودة بطارية مدمجة ثابتة
- لا تفتح حزمة البطارية. لا يقوم بإجراء الاصلاحات سوى طاقم العمل المؤهل.
- لا تشحن علبه البطارية إلا مع أجهزة الشحن المسموح بها.
- لا تقم بشحن البطارية بدون مراقبة. تحقق من حالة البطارية وجهاز الشحن بانتظام أثناء عملية الشحن.
- أفضل الشاحن عن شبكة الكهرباء والبطارية عن الشاحن ولا تستخدم الشاحن والبطارية إذا لاحظت وجود عيب أو ورائج غير عادية أو إذا ظهرت حرارة غير عادية أثناء الشحن. اتصل بخدمة العملاء المعتمدة.
- لا تقم بإزالة أي بطاريات مثبتة.

⚠ تنويه

- خطر قصر الدائرة. قم بحماية أطراف علبه البطارية من الأجزاء المعدنية.
- لا تستخدم علبه البطارية في حالة رطبة أو ممتسخة. قبل الاستخدام اترك علبه البطارية والوصلات لتجف بالكامل.
- أخرج علبه البطارية من الجهاز قبل إجراء جميع أعمال الصيانة والعناية.
- لا ينطبق على الأجهزة المزودة بطارية مدمجة ثابتة

تنبيه

- خطر قصر الدائرة. لا تحتفظ بعلب البطاريات مع أي أشياء معدنية.
- لا تترك علبه البطارية أسفل المياه.
- قم بحماية علبه البطارية من الحرارة، والحواف الحادة، والريوت وأجزاء الجهاز المتحركة.
- عدم تعريض علبه البطارية لأعباء ميكانيكية.

المحتويات

19.....	إرشادات عامة
19.....	الاستخدام المطابق للتعليمات
19.....	حماية البيئة
18.....	الملحقات التكميلية وقطع الغيار
18.....	الضمان
18.....	محتوى التسليم
18.....	مواصفات الجهاز
	تركيب الحامل الجداري / قاعدة التخزين القائمة بذاتها
18.....	المزودة بوظيفة الشحن.....
17.....	بدء التشغيل
17.....	التشغيل
16.....	استخدام الملحقات
15.....	الشحن
15.....	التخزين
15.....	العناية والصيانة.....
14.....	مساعدة في حالة حدوث أعطال
14.....	البيانات الفنية.....

إرشادات السلامة خاصة بالمكتسة المزودة ببطارية

- اقرأ إرشادات السلامة هذه ودليل التشغيل الأصلي أيضا قبل استخدام الجهاز لأول مرة. ثم تصرف طبقا لذلك. حافظ على كلا الكتابين احتفظ بالكتيب للرجوع إليه في المستقبل أو لأصحاب المستقبل.
- عليك إلى جانب الإرشادات الواردة في دليل التشغيل مراعاة القواعد العامة للسلامة والوقاية من الحوادث والتي يحددها المشرع القانوني.
- تشير علامات الإرشاد والتحذير الموجودة على الجهاز إلى الإرشادات الهامة للتشغيل الآمن.
- اعتمادا على نوع الجهاز. تم تركيب البطارية / علبة البطارية بشكل دائم أو بشكل يمكن استبدالها. يجب عدم استبدال البطاريات / علبة البطاريات الممتلئة بشكل دائم. يرجى الرجوع إلى تعليمات التشغيل الخاصة بالجهاز لمعرفة ما ينطبق على جهازك.
- تتكون البطارية من عنصر تخزين واحد، أما علبة البطارية فتتكون من عناصر التخزين مترابطة مع بعضها.
- يتم في الفصول التالية استخدام كلا المصطلحين كمرادف لبعضهما البعض.

درجات الخطر

- ⚠ خطر**
إشارة إلى خطر مباشر وشيك الحدوث وقد يؤدي إلى إصابات جسدية بالغة أو إلى الوفاة.
- ⚠ تحذير**
إشارة إلى موقف قد تحفه المخاطر وقد يؤدي إلى إصابات جسدية بالغة أو إلى الوفاة.
- ⚠ تنويه**
إشارة إلى موقف قد تحفه المخاطر وقد يؤدي إلى إصابات بسيطة.
- تنبيه**
إشارة إلى موقف قد تحفه المخاطر وقد يؤدي إلى حدوث أضرار مادية.

تعليمات السلامة العامة

- ⚠ خطر** • خطر الاختناق. يجب عليك إبعاد أكياس التعبئة والتغليف عن متناول الأطفال. • يمنع منعا باتا التشغيل في المناطق القابلة للانفجار. • خطر الانفجار.
- تجنب استخدام الجهاز في شطف الأتربة أو السوائل أو الغازات القابلة للاشتعال.
- تجنب استخدام الجهاز في شطف غبار المعادن التفاعلية (على سبيل المثال، الألومنيوم، والمغنيسيوم، والزنك).

- تجنب استخدام الجهاز في شطف الماء المالح أو الأحماض غير المخففة.
- تجنب استخدام الجهاز لشطف أي مواد/أجسام تترقق أو يتصادق منها الدخان.

قد تتسبب هذه المواد في تآكل المواد المستخدمة في الجهاز.

⚠ تحذير • استخدم الجهاز وفقا للفرض المحدد له فقط. عليك مراعاة الظروف المحيطة والانتباه عند استخدام الجهاز إلى الأشخاص الآخرين وخاصة الأطفال منهم. • يسمح للأشخاص الذين لديهم قدرات بدنية أو حسية أو عقلية محدودة أو الذين لا يتوافر لديهم الخبرة والمعرفة الكافية، أن يستخدموا الجهاز بشرط الإشراف عليهم بشكل صحيح، أو إذا تم بعد حصولهم على تعليمات بشأن كيفية استخدام الجهاز الآمن للجهاز من قبل شخص مسؤول عن سلامتهم ومعرفة مخاطر المرتبطة به. • لا يسمح باستخدام الجهاز إلا من قبل الأشخاص الذين تم إرشادهم إلى كيفية استخدام الجهاز أو الذين أتقنوا قدرتهم على استخدام الجهاز وتم تكليفهم صراحة باستخدامه. • لا يسمح للأطفال بتشغيل الجهاز. • يمكن أن يتم استخدام الجهاز من قبل صغار السن بدءا من 8 سنوات على الأقل بشرط أن يتم المحافظة على سلامتهم عن طريق تعليمهم كيفية استخدام الجهاز من قبل شخص متخصص ووضعهم تحت المراقبة وكذلك فهمهم الأخطار الناتجة عنه. • يجب مراقبة الأطفال للتأكد من عدم لعبهم بالجهاز. • يسمح للأطفال القيام بعملية التنظيف والصيانة بشرط أن يتم الإشراف عليهم. • عليك الالتزام في المناطق الخطرة (محطات الوقود مثلا) بقواعد السلامة الخاصة بهذه المناطق. عدم تشغيل الجهاز في مناطق معرضة للانفجار على الإطلاق. • استخدم الجهاز وفقا للفرض المحدد له فقط. عليك مراعاة الظروف المحيطة والانتباه عند استخدام الجهاز إلى الأشخاص الآخرين وخاصة الأطفال منهم. • يحتوي الجهاز على أجزاء كهربائية، فذلك لا يتم تنظيف الجهاز تحت الماء الجاري. • خطر الإصابة. لا تستخدم الفوهة وأنبوب الشطف بارتفاع رأسى. • تجنب التشغيل غير المقصود. تأكد من أن زر التشغيل/ إيقاف يتواجد في وضع الإيقاف قبل توصيل علبة البطارية، قبل رفع أو حمل الجهاز. • لا يسمح بشحن أو تخزين الجهاز في الهواء الطلق أو في السيارة.

⚠ تنويه • تجهيزات السلامة تخدم حمايتك. لا يتم تغيير أو تجاوز تجهيزات السلامة أبدا. • لا تستخدم الجهاز إذا تعرض للسقوط مسبقا أو عند وجود تلفيات واضحة أو إن يكون غير مكتم. • لا تترك الجهاز دون مراقبة أبدا طالما يكون مشغلا. • لا تستخدم ولا تخزن الجهاز إلا وفقا للشرح أو الصور فقط. • لتفادي وقوع الحوادث أو الإصابات، يتعين عليك مراعاة وزن الجهاز عند نقله. • حوادث وأضرار ناجمة عن سقوط الجهاز. يجب عليك ضمان السلامة قبل إجراء أي عمل على الجهاز أو قبل استخدام الجهاز. • لا تتم بإجراء أي تغييرات على الجهاز ولا تستخدم سوى الملحقات وقطع الغيار الموصى بها من قبل الشركة المصنعة. • خطر الإصابة عند التقاط أجزاء الجهاز المتحركة للملابس الفضفاضة أو الشعر أو الخلى. اهد الملابس والخلى عن الأجزاء المتحركة للماكينة. اربط الشعر الطويل إلى الخلف.

⚠ تنبيه • لا تستخدم الجهاز عندما تكون درجات الحرارة تحت 0° مئوية. • تجنب استخدام الجهاز دون فلتر، فقد يؤدي ذلك إلى تلف الجهاز. • استخدم الجهاز في الأماكن الداخلية فقط.

إرشادات السلامة لجهاز الشحن

⚠ خطر • لا تلمس القابس الكهربائي والمقيس بأيدي مبللة بالماء نهائياً. • خطر الانفجار. عدم شحن البطاريات غير القابلة لإعادة الشحن. • لا تستخدم جهاز الشحن في الأماكن القابلة للانفجار. • لا تقوم أبدا بإدخال أي أشياء موصلة للتيار مثلا مفك براغي أو ما يشبه ذلك في علبة شحن الجهاز.

⚠ تحذير • قم بشحن الجهاز باستخدام الشاحن الأصلي المرفق للجهاز أو أجهزة الشحن المصرح بها من قبل شركة KARCHER فقط. • قم بحماية كابل الشبكة من الحرارة، والحرف الحادة، والنزوت وأجزاء الجهاز المتحركة. • لا يتم بفتح جهاز الشحن. يجب تنفيذ أعمال الإصلاح من قبل فنيين متخصصين فقط. • استخدم جهاز الشحن لشحن علبة البطاريات المعتمدة فقط. • عليك ودون تأخير استبدال جهاز الشحن التالف من كابل الشحن بقطع أصلية فقط. • يحتوي الجهاز على أجزاء كهربائية، فذلك لا يتم تنظيف الجهاز تحت الماء الجاري. • لا يسمح بشحن علبة البطارية لمدة أطول من 24 ساعة متواصلة.



THANK YOU!
MERCI! DANKE! ¡GRACIAS!



Registrieren Sie Ihr Produkt und profitieren Sie von vielen Vorteilen.

Register your product and benefit from many advantages.

Enregistrez votre produit et bénéficiez de nombreux avantages.

Registre su producto y aproveche de muchas ventajas.

www.kaercher.com/welcome



Bewerten Sie Ihr Produkt und sagen Sie uns Ihre Meinung.

Rate your product and tell us your opinion.

Évaluer votre produit et dites-nous votre opinion.

Reseñe su producto y díganos su opinión.



www.kaercher.com/dealersearch

Alfred Kärcher SE & Co. KG
Alfred-Kärcher-Str. 28-40
71364 Winnenden (Germany)
Tel.: +49 7195 14-0
Fax: +49 7195 14-2212

